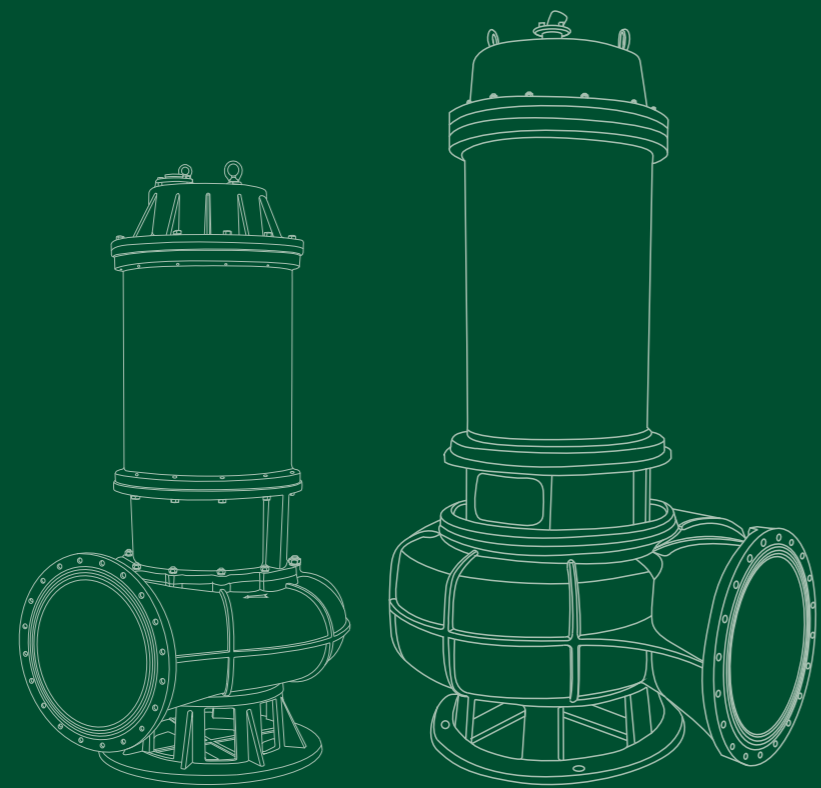
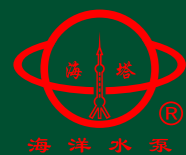


由于我们在不断努力改进产品，我们保留样本数据更改的权利，敬主谅解。



▶▶▶ QW/WQ
潜水式排污泵
Submersible sewage pump



Shanghai Sea
Pump & Valve Mfg Co.,Ltd

上海海洋泵阀制造有限公司

地址：上海市金山区山阳镇山富东路365号

电话：(0086)-021-63546554 63803848

传真：(0086)-021-33550508

网址：www.sea-pump.com

邮箱：seapump@foxmail.com

SEAPUMP

上海海洋泵阀制造有限公司
SHANGHAI SEA PUMP & VALVE MFG CO.,LTD



企业简介+ ABOUTUS

在离心泵制造领域,上海海洋泵阀制造有限公司是中国大型的制造商之一,是专业生产水泵、生活消防成套智能控制给水设备及水泵智能电气控制设备的大型企业,下设十六大分公司及二十几个售后服务中心,遍布全国各大中城市,为海洋创造快速的售后服务打下坚实的基础。

海洋泵阀始终致力于科技和管理的创新,开发出适用于工矿企业、城市供水、城市污水处理、农田排灌、石油化工、高层建筑供水消防、空调供暖等各行各业的用泵。产品发往东南亚和欧洲等地区,以可靠的性能和性能和合理的价格受到国内外用户的青睐。

海洋泵阀现有员工800多名,其中工程技术人员50余名,占地面积80余亩,固定资产2亿元,拥有现代化的微机控制的测试设备,保证了每一台产品合格出厂,年生产各类水泵90000台,“上海海洋泵阀制造有限公司”已成为以水泵生产为龙头,集科、工、贸于一体的多门类,管理现代化的大型企业。

海洋泵阀目前能生产30多个系列,上万种规格,适用于工矿企业、城市供水、城市污水处理、石油化工、农业排灌等行业的用泵。主导产品DL、LG、GDL、CDL、TSWA系列高层建筑给水泵被国家建设部批准为工程建设推荐产品。

海洋泵阀秉承“产品决定前途、质量决定命运、效益决定兴衰、素质决定成败”的经营理念,不断开拓进取,铸就客户百分之百满意工程:ISO9001-2008质量体系品质保证,以及快速反应售后服务和定期咨询双重服务保障。

海洋泵阀以人为本,以诚待人,以国际质量管理体系为管理标准不断拓展相关领域--承揽环保工程、提供成套生活供水和消防设施,制造出优质、高效、节能的国际产品,服务于人类建设美好家园!

In the centrifugal pump manufacturing field, Shanghai Sea Pump & Valve Manufacturing Co.,Ltd. is one of the biggest manufacturers in China and a big joint-stock enterprise specializing in producing water pumps, domestic and fire intelligent control water supply systems and intelligent electric control devices for water pumps. It has 16 branches and over 20 after service centers throughout middle and big cities of China, laying a solid foundation for Sea's fast after service.

Sea pump & valve has all along been committed to innovation in technology and management to develop pumps applicable for all industries, like industrial and mining enterprises, urban water supply, urban sewage treatment, farmland irrigation and drainage, petrochemical industry, water supply and fire control for high-rise buildings, air conditioning and heating. Its products are exported to Southeast Asia, Europe and so on, which have won favor of both domestic and foreign users on the strength of their reliable performance and fair price.

Sea pump & valve now has more than 800 employees, including more than 50 engineers and technicians. It covers a floor area of 80-plus mu and has fixed assets exceeding RMB200 million. Boasting modern testing equipment with microcomputer control, it guarantees acceptability of every product to be delivered. With an annual production capacity of 90000 sets of water pumps of different kinds, Shanghai Sea Pump & Valve Manufacturing Co., Ltd. has become a big and diversified enterprise with modern management, which is led by production of water pumps and integrates scientific research, industry and trade.

At present Sea Pump & Valve is able to produce more than 30 pump lines with more than Tens of thousands of specifications, applicable for such industries as industrial and mining enterprises, urban water supply, urban sewage treatment, petrochemical industry and agricultural irrigation and drainage. Its main products, DL, LG, GDL, CDL and TSWA high-rise water supply pump lines, have been approved as Recommended Product for Engineering Construction by the Ministry of Construction.

Upholding this operational concept: products tell the prospect, quality tells the fate, benefits tell ups or downs while accomplishments tell success or failure. Sea Pump & Valve has been opening up and advancing continually to make project satisfying customers 100%; quality assurance by ISO9001-2008 plus double service guarantee: quick-response after service and periodical consultations.

Being people-friendly and treating others sincerely, Sea Pump & Valve has been extending towards relevant fields with the management standard of international Quality Management System, undertaking environmental protection projects, providing domestic water supply and fire fighting systems, manufacturing high-quality, high-efficiency and energy-saving international products and serving the mankind to build a beautiful home!

目录 Contents

产品概况	01	Product introduction
适用范围	01	Scope of application
工作条件	01	Working conditions
型号意义	02	Type designation
产品特点	02	Product features
曲线图	03	Diagram
性能参数	04-05	Performance parameter
安装尺寸	06-07	Installation dimensions
安装尺寸图	08	Installation dimension drawing
结构图	08	Structural drawing
外形尺寸表	09-10	Outline dimension table
使用安全	11	Use safety
订货须知	11	Ordering Instructions
故障分析及排除方法	12	Troubleshooting and remedy



海洋泵阀

SEA PUMP & VALVE

WQ、QW系列无堵塞潜水排污泵

WQ,QW NON-CLOGGING SUBMERSIBLE SEWAGE PUMP

排污泵系列 Sewage Pump Series



WQ系列无堵塞固定式潜水排污泵

WQ Series Non-clogging Fixed Submersible Sewage Pump



(30KW以下包含30KW)
(30KW below contains 30KW)

(30KW以上)
(more than 30 kw)

QW系列无堵塞移动式潜水排污泵

WQ Series Non-clogging Movable Submersible Sewage Pump

产品概况

WQ、QW系列无堵塞潜水排污泵严格按照有关国家标准进行设计、制造和检验。供排送工商业污水、生活污水、城市污水处理厂排水系统、人防系统排水站、自来水厂的给水之用。输送液体的流量范围为8~5400m³/h，扬程范围为6~60m，配套功率范围为0.75~280kW，口径范围为φ25~φ600mm。

适用范围

WQ、QW系列无堵塞潜水排污泵适用于工厂商业严重污染废水的排放、住宅区的污水排污站、城市污水处理厂排水系统、人防系统排水站、自来水厂的给水设备，医院、宾馆的污水排放、市政工程建筑工地、勘探、矿山配套附机、农村沼气池、农田灌溉等行业，输送带颗粒的污水、污物，也可用于清水及带腐蚀性介质。

工作条件

介质温度不超过60℃，介质重度为1~1.3kg/dm³

无内自流循环冷却系统的泵，电机部分露出液面不超过1/3；

铸铁材质的使用范围PH5~9；

1Cr18Ni9Ti不锈钢材质可使用一般腐蚀性介质；

使用环境海拔高度不超过1000米，超过时应在订货时提出，以便为您提供更可靠的产品；

注：用户如有特殊的温度、介质等要求，请在订货时注明输送介质的详细情况，以便本公司提供更为可靠之产品。

Product Introduction

WQ and QW non-clogging submersible sewage pump series are designed, manufactured and inspected strictly in accordance with relevant standards of China, applicable for drainage and supply of industrial, commercial and domestic sewage, drainage systems in municipal sewage treatment plants, drainage stations of civil air defense systems and water supply of water plants. The flow range of working liquids is within 8~5400m³/h, lift head range within 6~60m, related power range within 0.75~280kW and diameter range within φ25~φ600mm.

Scope of application

WQ and QW non-clogging submersible sewage pump series are applicable for transporting granular sewage and filth or clear water and corrosive media in such industries as discharge of industrial and commercial waste water seriously polluted, sewage discharge stations of residential areas, drainage systems of urban sewage treatment plants, drainage stations of civil air defense systems, water supply systems of water plants, sewage discharge of hospitals and hotels, construction sites of civil works, supportive auxiliary machinery for exploration and mining, rural methane tanks and farmland irrigation.

Working Conditions

The medium temperature shall not exceed 60℃ and the medium's unit weight is within 1~1.3kg/dm³.

As for those pumps without the internal gravitational flow circulation and cooling system, the exposed motor part out of the liquid surface shall not exceed 1/3;

The application scope of the cast iron material is PH5~9;

The 1Cr18Ni9Ti stainless steel material is applicable for general corrosive media;

The height above sea level of the working environment shall not go beyond 1,000m, and if beyond, it shall be noted in your order so as to provide more reliable products for you;

Note: If the user has special requirements for temperature, medium and the like, please note the details on the working medium in the order so that our company can provide more reliable products.



海洋泵阀

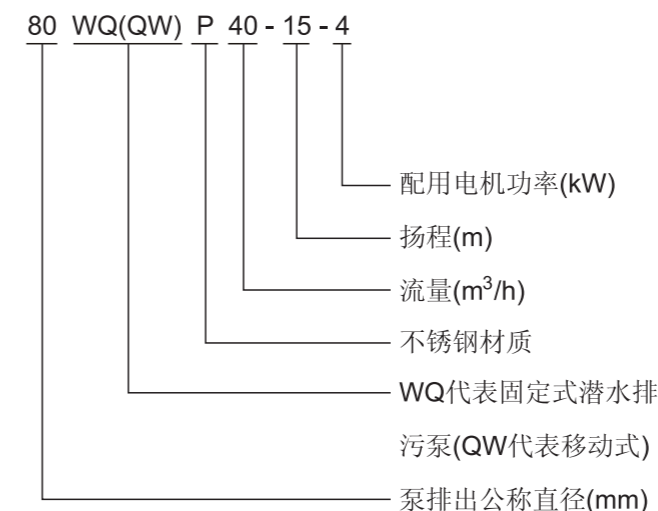
SEA PUMP & VALVE

WQ、QW系列无堵塞潜水排污泵

WQ,QW NON-CLOGGING SUBMERSIBLE SEWAGE PUMP

排污泵系列 Sewage Pump Series

型号意义



产品特点

采用独特的单叶片或双叶片叶轮结构，大大提高了物的通过能力，能有效的通过泵口径的5倍纤维物质与直径为泵口径约50%的固体颗粒；

机械密封采用新型硬质合金耐腐的碳化钨材料，同时将密封改进为双端面密封，使其长期处于油室内运行，可使泵安全连续运行8000小时以上；

结构紧凑、体积小、噪声小、节能效果显著，检修方便，无需泵房，潜水即可工作，大大减少工程造价；

该泵密封油室内设置有高精度抗干扰漏水检测传感器，及定子绕组内预埋了热敏元件，对水泵电机绝对保护；

可根据用户需要配备全自动安全保护控制柜，对泵的漏水、漏电、过载及超温等进行绝对保护，提高了产品的安全性与可靠性；

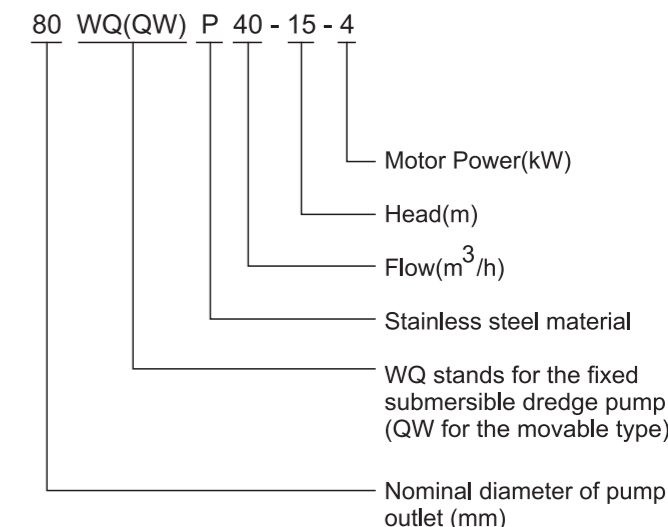
浮球开关可以根据所需液位变化，自动控制泵的启动与停止，不需专人看管，使用极为方便；

可根据用户需要配备双导轨自动耦合安装系统，它给安装、维修带来极大方便，人可不必为此而进入污水坑；

能够在全扬程范围内使用，而保证电机不会过载；

有两种不同的安装方式，固定式自动耦合安装系统、移动式自由安装系统。

Type Designation



Product features

It adopts the unique single/double-blade impeller structure, which can allow the effective passing of fiber matters with a diameter being 5 times of the pump diameter and also solid particles with a diameter being about 50% of the pump diameter, thus improving the trafficability of filth greatly;

Its mechanical seal adopts a new hard-alloy and corrosion-resistant tungsten carbide material plus improved double end faces so that it can function in the oil chamber for long, making the pump available for safe and continuous operation for more than 8,000 hours;

It boasts a compact and integrated structure, low noise, a noticeable energy-saving effect and being easy for overhaul without building up a pump room because it can be directly submerged to work, thus reducing the project cost greatly;

The inside of its seal oil chamber is provided with a high-precision anti-jamming sensor for water leakage detection and the thermal elements are buried inside the stator winding in advance for absolute protection for the water pump motor;

A fully automatic control cabinet is optional in accordance with user needs for absolute protection for the pump from water leakage, creepage, overload, overtemperature and so on, thus improving the safety and reliability of the product;

The floating ball switch can control the pump to start and stop automatically in accordance with the required change of liquid level, thus unnecessary for specific personnel in charge and very easy for use;

It can be provided with an optional double-guide automatic coupling installation system in accordance with user needs, which extremely facilitates installation and maintenance, so the user needn't pass in and out of the sump;

It is available for use within the total head while ensuring to keep the motor from overload;

It is available for two different installation modes: fixed automatic coupling and removable free installation systems.



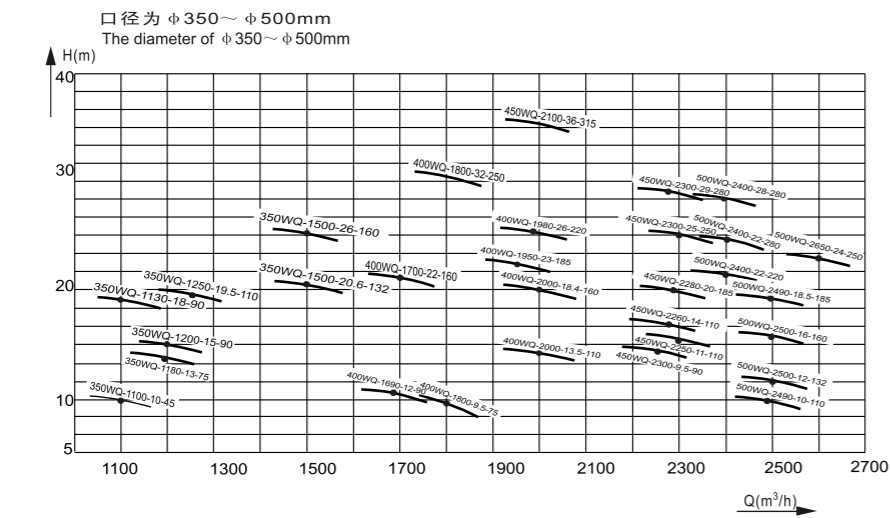
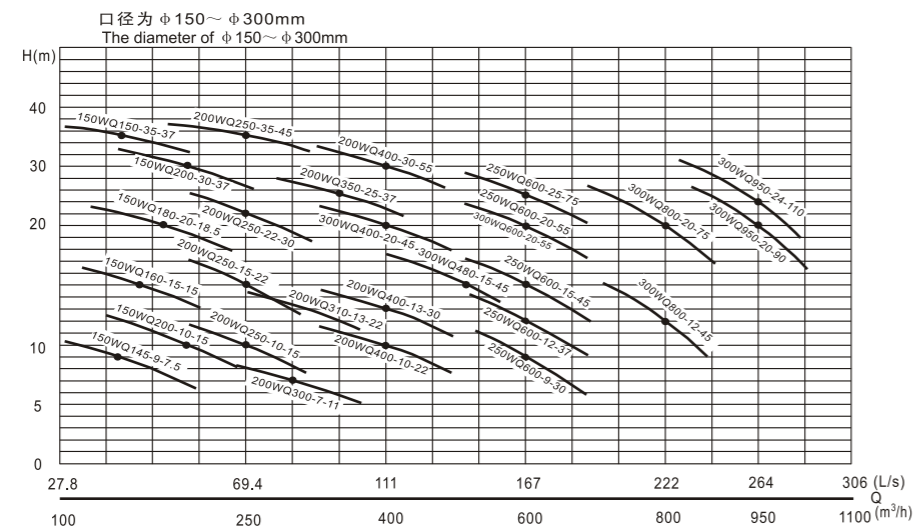
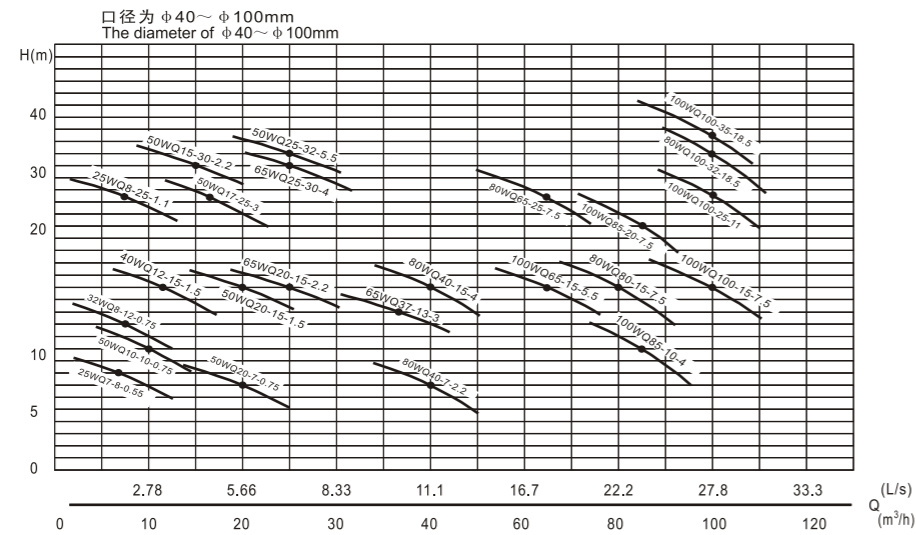
海洋泵阀

SEA PUMP & VALVE

WQ、QW系列无堵塞潜水排污泵
WQ,QW NON-CLOGGING SUBMERSIBLE SEWAGE PUMP

排污泵系列 Sewage Pump Series

WQ、QW型泵曲线图 WQ、QW Type Pump Diagram



注: QW, YW, LW(WL), GW曲线图与WQ型相同。
Note: The curve chart of QW is the same as that of WQ.



海洋泵阀

SEA PUMP & VALVE

WQ、QW系列无堵塞潜水排污泵
WQ,QW NON-CLOGGING SUBMERSIBLE SEWAGE PUMP

排污泵系列 Sewage Pump Series

WQ系列无堵塞固定式潜水排污泵性能参数表

Performance Parameter Table of WQ Non-clogging Fixed Submersible Sewage Pump Series

口径 Caliber (mm)	型号 Type	流量 Flow (m³/h)	扬程 Head (m)	转速 Speed (r/min)	功率 Power (kW)	效率 Eff. (%)	自动耦合器 Automatic coupler		
25	25WQ8-12-0.75	8	12	2900	0.75	45			
	25WQ8-22-1.1	8	22	2900	1.1	45			
32	32WQ8-12-0.75	8	12	2900	0.75	48	GAK-50		
	32WQ8-22-1.1	8	22	2900	1.1	62			
40	40WQ12-15-1.5	12	15	2900	1.5	54			
50	50WQ20-7-0.75	20	7	2900	0.75	51	GAK-50		
	50WQ10-10-0.75	10	10	2900	0.75	52			
	50WQ20-15-1.5	20	15	2900	1.5	53			
	50WQ15-30-2.2	15	30	2900	2.2	54			
	50WQ42-9-2.2	42	9	2900	2.2	49			
	50WQ30-10-2.2	30	10	2900	2.2	50			
	50WQ17-25-3	17	25	2900	3	52			
	50WQ40-15-4	40	15	2900	4	60			
	50WQ25-32-5.5	25	32	2900	5.5	58			
50WQ20-40-7.5	20	40	2900	7.5	59				
65	65WQ25-15-2.2	25	15	2900	2.2	50	GAK-65		
	65WQ37-13-3	37	13	2900	3	57			
	65WQ25-30-4	25	30	2900	4	61			
	65WQ30-30-5.5	30	30	2900	5.5	60			
	65WQ30-40-7.5	30	40	2900	7.5	56			
	65WQ35-50-11	35	50	2900	11	45			
65WQ35-60-15	35	60	2900	15	65				
80	80WQ40-7-2.2	40	7	1450	2.2	59	GAK-80		
	80WQ43-13-3	43	13	2900	3	70			
	80WQ50-7-3	50	7	2900	3	71			
	80WQ40-15-4	40	15	2900	4	61			
	80WQ50-20-5.5	50	20	2900	5.5	67			
	80WQ65-25-7.5	65	25	2900	7.5	63			
	80WQ80-15-7.5	80	15	2900	7.5	64			
	80WQ80-15-7.5	80	15	2900	7.5	64			
100	100WQ70-7-3	70	7	1450	3	74	GAK-100		
	100WQ85-10-4	85	10	1450	4	72			
	100WQ60-15-4	60	15	1450	4	69			
	100WQ65-15-5.5	65	15	1450	5.5	65			
	100WQ100-15-7.5	100	15	1450	7.5	63			
	100WQ85-20-7.5	85	20	1450	7.5	75			
	100WQ100-25-11	100	25	1450	11	72			
	100WQ100-30-15	100	30	1450	15	72			
	100WQ100-35-18.5	100	35	1450	18.5	75			
150	150WQ145-9-7.5	145	9	1450	7.5	76	GAK-150		
	150WQ110-15-7.5	110	15	1450	7.5	71			
	150WQ200-10-15	200	10	1450	15	73			
	150WQ180-15-15	180	15	1450	15	69			
	150WQ180-20-18.5	180	20	1450	18.5	72			
	150WQ150-26-18.5	150	26	1450	18.5	52			
	150WQ180-25-22	180	25	1450	22	78			
	150WQ200-25-30	200	25	1450	30	76			
	150WQ200-30-37	200	30	1450	37	73			
	150WQ150-35-37	150	35	1450	37	73			
	150WQ180-40-45	180	40	1450	45	71			
	200	200WQ300-7-11	300	7	980	11		66	GAK-200
		200WQ250-11-15	250	11	1450	15		64	
200WQ250-15-18.5		250	15	1450	18.5	73			
200WQ400-10-22		400	10	1450	22	75			
200WQ300-15-22		300	15	1450	22	76			
200WQ400-13-30		400	13	1450	30	76			
200WQ300-18-30		300	18	1450	30	85			



海洋泵阀

SEA PUMP & VALVE

WQ、QW系列无堵塞潜水排污泵
WQ,QW NON-CLOGGING SUBMERSIBLE SEWAGE PUMP

排污泵系列 Sewage Pump Series

WQ系列无堵塞固定式潜水排污泵性能参数表

Performance Parameter Table of WQ Non-clogging Fixed Submersible Sewage Pump Series

口径 Caliber (mm)	型号 Type	流量 Flow (m³/h)	扬程 Head (m)	转速 Speed (r/min)	功率 Power (kW)	效率 Eff. (%)	自动耦合器 Automatic coupler
200	200WQ250-22-30	250	22	1450	30	71	GAK-200
	200WQ300-25-37	300	25	1450	37	71	
	200WQ400-20-45	400	20	1450	45	74	
	200WQ250-35-45	250	35	1450	45	69	
	200WQ400-30-55	400	30	1450	55	72	
	200WQ200-60-75	200	60	1450	75	52	
250	250WQ600-9-30	600	9	980	30	78	GAK-250
	250WQ600-12-37	600	12	1450	37	76	
	250WQ600-15-45	600	15	1450	45	73	
	250WQ600-20-55	600	20	1450	55	73	
	250WQ600-25-75	600	25	1450	75	71	
300	300WQ800-12-45	800	12	980	45	74	GAK-300
	300WQ480-15-45	480	15	1450	45	66	
	300WQ400-20-45	400	20	1450	45	64	
	300WQ600-20-55	600	20	1450	55	73	
	300WQ800-20-75	800	20	1450	75	75	
	300WQ950-20-90	950	20	1450	90	76	
	300WQ950-24-110	950	24	1450	110	76	
350	350WQ1500-7-45	1500	7	740	45	87	GAK-350
	350WQ1100-10-55	1100	10	980	55	85	
	350WQ1180-13-75	1180	13	980	75	84	
	350WQ1200-15-90	1200	15	980	90	84	
	350WQ1130-18-90	1130	18	980	90	83	
	350WQ1250-20-110	1250	20	980	110	83	
	350WQ1500-20-132	1500	20	980	132	82	
350WQ1500-26-160	1500	26	980	160	83		
400	400WQ2000-6-55	2000	6	740	55	86	GAK-400
	400WQ1800-7-55	1800	7	740	55	85	
	400WQ2500-7-75	2500	7	740	75	85	
	400WQ1800-10-75	1800	10	740	75	85	
	400WQ1690-12-90	1690	12	980	90	85	
	400WQ2000-10-90	2000	10	980	90	85	
	400WQ2000-13-110	2000	13	980	110	84	
	400WQ2000-15-132	2000	15	980	132	83	
	400WQ1700-22-160	1700	22	980	160	83	
	400WQ2000-18-160	2000	18	980	160	85	
	400WQ1950-23-185	1950	23	980	185	85	
	400WQ1980-26-220	1980	26	980	220	83	
	400WQ1800-32-250	1800	32	980	250	82	
450	450WQ2300-10-90	2300	10	740	90	85	GAK-450
	450WQ2250-11-110	2250	11	740	110	85	
	450WQ2100-12-110	2100	12	740	110	83	
	450WQ2260-14-132	2260	14	740	132	83	
	450WQ2280-20-185	2280	20	740	185	82	
	450WQ2300-25-250	2300	25	740	250	81	
	450WQ2300-29-280	2300	29	740	280	80	
	450WQ2100-36-315	2100	36	740	315	78	
500	500WQ2500-10-110	2500	10	740	110	85	GAK-500
	500WQ2500-16-160	2500	16	740	160	84	
	500WQ2500-18-185	2500	18	740	185	83	
	500WQ2500-12-132	2500	12	740	132	85	
	500WQ2400-22-220	2400	22	740	220	85	
	500WQ2650-24-250	2650	24	740	250	85	
	500WQ2400-28-280	2400	28	740	280	85	
600	600WQ5400-8-185	5400	8	580	185	87	GAK-600
	600WQ4000-12-200	4000	12	580	200	86	
	600WQ3550-15-200	3550	15	740	200	84	



海洋泵阀

SEA PUMP & VALVE

WQ、QW系列无堵塞潜水排污泵
WQ,QW NON-CLOGGING SUBMERSIBLE SEWAGE PUMP

排污泵系列 Sewage Pump Series

WQ系列无堵塞固定式潜水排污泵安装尺寸表

Dimension table of WQ Non-clogging Fixed Submersible Sewage Pump Series

口径 Caliber (mm)	型号 Type	D	D1	H	G	H1	H2	H3	h	N1-ΦK	g	p	f	y	N2-Φd	L	M	m	e	E
25	25WQ8-12-0.75	100	75	400			360													
	25WQ8-22-1.1																			
32	32WQ8-12-0.75	120	90	400	170	270	360	100	18	4-Φ16	250	220	260	190	4-Φ14	470	400	60	16	550×550
	32WQ8-22-1.1																			
40	40WQ12-15-1.5	130	100	540			440													
50	50WQ20-7-0.75	140	110	564	170	270	450	100	18	4-Φ16	250	220	260	190	4-Φ14	470	400	60	16	550×550
	50WQ10-10-0.75																			
	50WQ20-15-1.5																			
	50WQ15-30-2.2																			
	50WQ42-9-2.2																			
	50WQ30-10-2.2																			
	50WQ17-25-3																			
	50WQ40-15-4																			
	50WQ25-32-5.5																			
50WQ20-40-7.5																				
65	65WQ25-15-2.2	160	130	582	167	315	480	150	20	4-Φ16	275	255	310	240	4-Φ14	470	400	60	16	650×600
	65WQ37-13-3																			
	65WQ25-30-4																			
	65WQ30-30-5.5																			
	65WQ30-40-7.5																			
65WQ35-50-11																				
65WQ35-60-15																				
80	80WQ40-7-2.2	185	150	640	167	350	540	150	25	4-Φ20	295	255	335	255	4-Φ18	470	400	60	16	650×600
	80WQ43-13-3																			
	80WQ50-7-3																			
	80WQ40-15-4																			
	80WQ50-20-5.5																			
80WQ65-25-7.5																				
80WQ80-15-7.5																				
100	100WQ70-7-3	205	170	705	214	420	600	200	25	4-Φ20	340	300	400	305	4-Φ18	510	440	60	20	750×650
	100WQ85-10-4																			
	100WQ60-15-4																			
	100WQ65-15-5.5																			
	100WQ100-15-7.5																			
	100WQ85-20-7.5																			
	100WQ100-25-11																			
	100WQ100-30-15																			
	100WQ100-35-18.5																			
	100WQ100-35-18.5																			
150	150WQ145-9-7.5	260	225	795	247	525	700	250	35	4-Φ20	390	325	460	375	8-Φ18	600	525	100	20	1000×800
	150WQ110-15-7.5																			
	150WQ200-10-15																			
	150WQ180-15-15																			
	150WQ180-20-18.5																			
	150WQ150-26-18.5																			
	150WQ180-25-22																			
	150WQ200-25-30																			
	150WQ200-30-37																			
	150WQ150-35-37																			
150WQ180-40-45																				
200	200WQ300-7-11	315	280	1150	309	580	1000	250	35	4-Φ23	490	400	540	440	8-Φ18	600	525	100	20	1300×900
	200WQ250-11-15																			
	200WQ250-15-18.5																			
	200WQ400-10-22																			
	200WQ300-15-22																			
	200WQ400-13-30																			
200WQ300-18-30																				



WQ系列无堵塞固定式潜水排污泵安装尺寸表

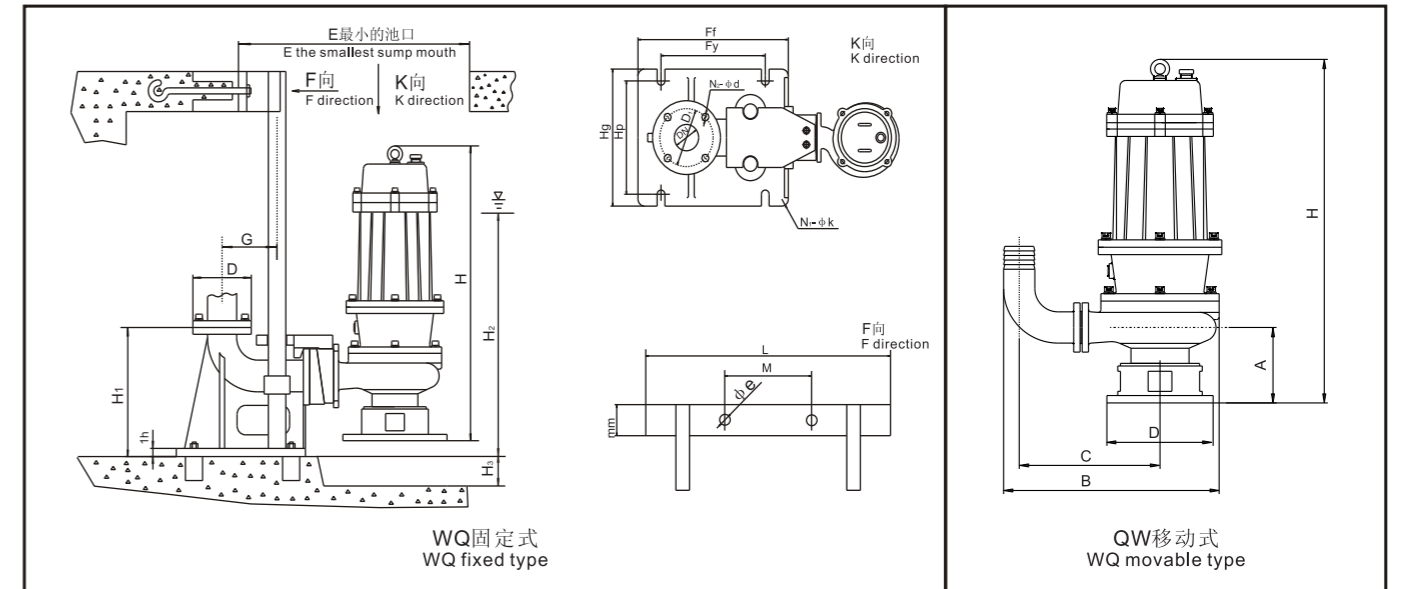
Dimension table of WQ Non-clogging Fixed Submersible Sewage Pump Series

口径 Caliber (mm)	型 号 Type	D	D ₁	H	G	H ₁	H ₂	H ₃	h	N ₁ -φK	g	p	f	y	N ₂ -φd	L	M	m	e	E
200	200WQ250-22-30	315	280	1320	309	580	1200	250	35	4-φ23	490	400	540	440	8-φ18	600	525	100	20	1300×900
	200WQ300-25-37			1370			1270													
	200WQ400-20-45			1450			1350													
	200WQ250-35-45																			
	200WQ400-30-55																			
200WQ200-60-75																				
250	250WQ600-9-30	370	335	1450	443	724	1350	350	26	4-φ23	550	475	610	515	12-φ18	700	615	150	24	1600×1300
	250WQ600-12-37			1720			1550													
	250WQ600-15-45																			
	250WQ600-20-55																			
	250WQ600-25-75																			
300	300WQ800-12-45	435	395	1550	460	760	1350	400	50	4-φ30	680	580	750	650	12-φ22	700	615	150	27	1600×1300
	300WQ480-15-45			1750			1550													
	300WQ400-20-45			1880			1600													
	300WQ600-20-55																			
	300WQ800-20-75																			
	300WQ950-20-90																			
350	350WQ1500-7-45	490	445	1600	460	760	1400	500	50	4-φ30	880	780	850	770	12-φ18	880	800	80	45	1450×1200
	350WQ1100-10-55			1800			1600													
	350WQ1180-13-75			1880			1600													
	350WQ1200-15-90			2200			2000													
	350WQ1130-18-90																			
	350WQ1250-20-110																			
400	400WQ2000-6-55	565	515	1650	620	800	1450	500	50	6-φ34	870	780	920	800	12-φ22	950	850	150	27	1600×1200
	400WQ1800-7-55			1700			1500													
	400WQ2500-7-75			1880			1680													
	400WQ1800-10-75			2345			2100													
	400WQ1690-12-90																			
	400WQ2000-10-90																			
	400WQ2000-13-110																			
	400WQ2000-15-132																			
	400WQ1700-22-160																			
	400WQ2000-18-160																			
	400WQ1950-23-185																			
	400WQ1980-26-220																			
	400WQ1800-32-250																			
450	450WQ2300-10-90	615	565	1700	620	900	1500	500	50	6-φ34	880	790	980	880	16-φ22	950	850	150	27	1600×1200
	450WQ2250-11-110			1880			1680													
	450WQ2100-12-110			2345			2100													
	450WQ2260-14-132																			
	450WQ2280-20-185																			
	450WQ2300-25-250																			
	450WQ2300-29-280																			
450WQ2100-36-315																				
500	500WQ2500-10-110	670	620	2000	820	1350	1800	500	50	6-φ34	950	850	1240	1140	20-φ22	950	850	150	27	1600×1200
	500WQ2500-12-132			2600			2300													
	500WQ2500-16-160																			
	500WQ2500-18-185																			
	500WQ2400-22-220																			
	500WQ2650-24-250																			
600	600WQ2400-28-280	780	725	2950	1000	1550	2600	500	50	6-φ34	1000	900	1400	1300	20-φ22	950	850	150	27	1600×1200
	600WQ4000-12-200																			
	600WQ3550-15-200																			

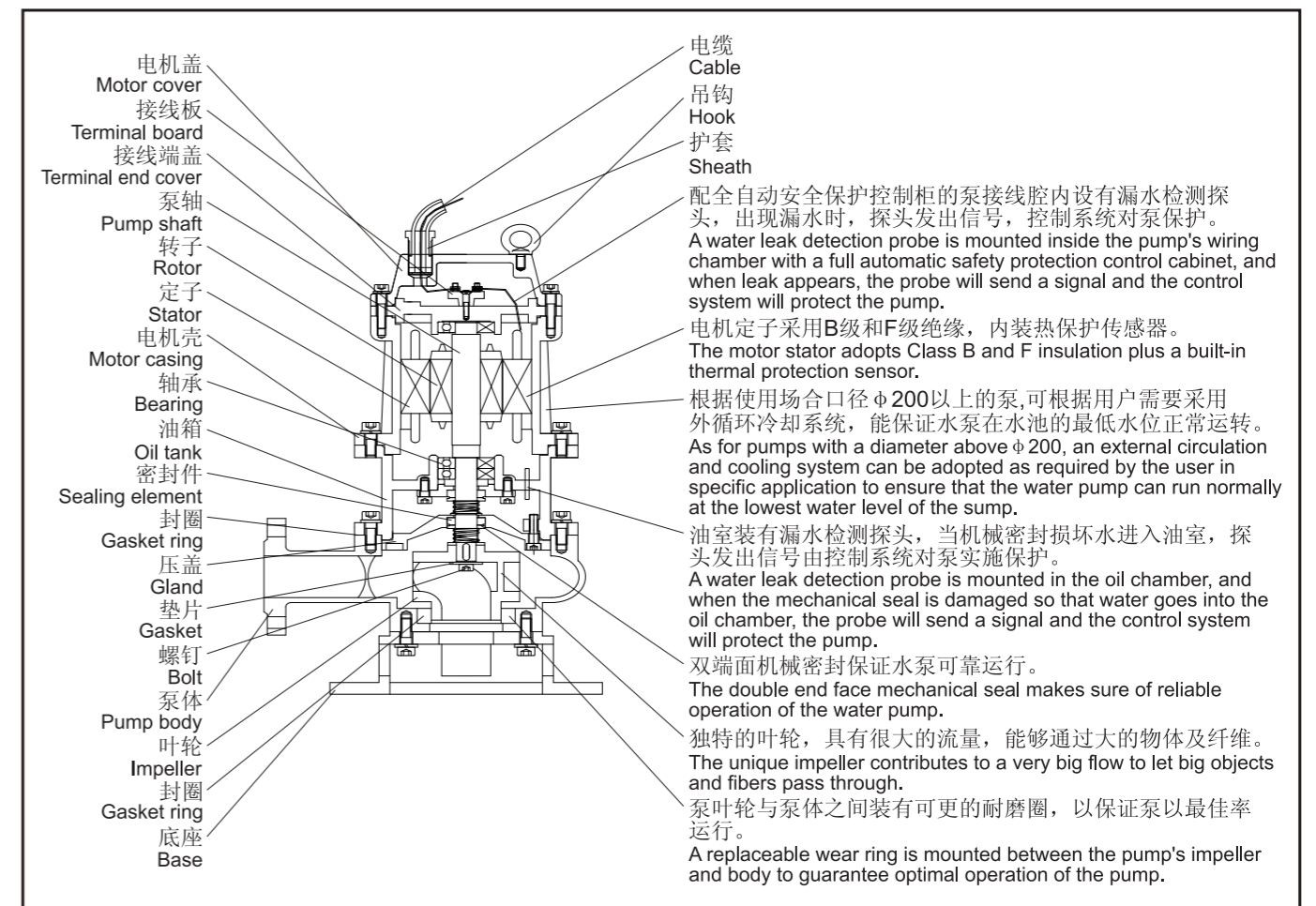


WQ固定式、移动式无堵塞潜水排污泵安装尺寸图

Installing Dimension Diagram of WQ Fixed/Movable Non-clogging Submersible Sewage Pump



结构图 Structure Diagram





海洋泵阀

SEA PUMP & VALVE

WQ、QW系列无堵塞潜水排污泵
WQ,QW NON-CLOGGING SUBMERSIBLE SEWAGE PUMP

排污泵系列 Sewage Pump Series

QW系列无堵塞移动式潜水排污泵性能参数及外形尺寸表

Table of Performance Parameters and Overall Dimensions of QW Non-clogging Movable Submersible Sewage Pump Series

序号 No.	型号 Type	排出口径 Outlet diameter (mm)	流量 Flow (m ³ /h)	扬程 Head (m)	转速 Speed (r/min)	功率 Power (kW)	效率 Eff. (%)	A	B	C	D	H
1	25QW7-8-0.55	25	7	8	2900	0.55	45	120	360	225	210	540
2	25QW8-22-1.1	25	8	22	2900	1.1	45	120	360	225	210	540
3	32QW8-12-0.75	32	8	12	2900	0.75	48	120	360	225	210	540
4	40QW12-15-1.5	40	12	15	2900	1.5	48	120	360	225	210	540
5	50QW20-7-0.75	50	20	7	2900	0.75	62	145	440	275	185	520
6	50QW10-10-0.75	50	10	10	2900	0.75	54	120	250	230	185	520
7	50QW20-15-1.5	50	20	15	2900	1.5	51	120	250	230	210	564
8	50QW15-30-2.2	50	15	30	2900	2.2	51	145	410	245	205	550
9	50QW42-9-2.2	50	42	9	2900	2.2	52	145	410	245	205	550
10	50QW17-25-3	50	17	25	2900	3	53	155	420	250	260	660
11	50QWQ40-15-4	50	40	15	2900	4	54	140	457	264	310	730
12	50QW25-32-5.5	50	25	32	2900	5.5	49	165	480	285	310	770
13	50QW20-40-7.5	50	20	40	2900	7.5	50	175	480	285	310	770
14	65QW25-15-2.2	65	25	15	2900	2.2	52	145	450	280	205	570
15	65QW37-13-3	65	37	13	2900	3	60	165	475	305	260	652
16	65QW25-30-4	65	25	30	2900	4	58	170	505	300	325	710
17	65QW35-50-11	65	35	50	2900	11	59	165	460	300	350	920
18	65QW35-60-15	65	35	60	2900	15	58	165	460	300	350	920
19	80QW40-7-2.2	80	40	7	2900	2.2	50	165	510	330	260	640
20	80QW43-13-3	80	43	13	2900	3	61	165	540	330	325	652
21	80QW40-15-4	80	40	15	2900	4	57	180	565	330	325	775
22	80QW50-20-5.5	80	50	20	2900	5.5	60	165	565	330	325	775
23	80QW65-25-7.5	80	65	25	2900	7.5	56	180	565	330	325	775
24	80QW80-15-7.5	80	80	15	2900	7.5	45	165	510	330	260	775
25	100QW85-10-4	100	85	10	1450	4	62	220	700	430	420	800
26	100QW65-15-5.5	100	65	15	1450	5.5	59	225	680	410	420	825
27	100QW100-35-18.5	100	100	35	1450	18.5	67	225	680	410	420	970
28	100QW100-15-7.5	100	100	15	1450	7.5	70	225	690	420	420	825
29	100QW85-20-7.5	100	85	20	1450	7.5	71	225	690	420	420	825
30	100QW100-25-11	100	100	25	1450	11	61	225	690	450	520	940
31	150QW145-9-7.5	150	145	9	1450	7.5	63	225	800	510	420	795
32	150QW200-10-15	150	200	10	1450	15	64	275	950	610	520	1060
33	150QW180-15-15	150	180	15	1450	15	67	275	950	610	520	1060
34	150QW180-20-18.5	150	180	20	1450	18.5	74	250	925	585	520	1060
35	150QW150-26-18.5	150	150	26	1450	18.5	72	250	925	585	520	1060
36	150QW180-35-22	150	180	35	1450	22	69	260	925	585	520	1060
37	150QW200-30-37	150	200	30	1450	37	65	275	1025	650	520	1320
38	150QW150-35-37	150	150	35	1450	37	63	290	1025	650	520	1320
39	200QW300-7-11	200	300	7	980	15	75	290	990	610	520	1150
40	200QW250-11-15	200	250	11	1450	15	72	270	970	600	520	1120
41	200QW250-15-18.5	200	250	15	1450	18.5	72	290	1130	715	520	1130
42	200QW400-10-22	200	400	10	1450	22	75	275	1120	710	520	1130
43	200QW300-15-22	200	300	15	1450	22	71	275	1120	710	520	1130
44	200QW400-13-30	200	400	13	1450	30	76	275	1120	710	520	1320
45	200QW250-22-30	200	250	22	1450	30	71	275	1120	710	520	1290



海洋泵阀

SEA PUMP & VALVE

WQ、QW系列无堵塞潜水排污泵
WQ,QW NON-CLOGGING SUBMERSIBLE SEWAGE PUMP

排污泵系列 Sewage Pump Series

QW系列无堵塞移动式潜水排污泵性能参数及外形尺寸表

Table of Performance Parameters and Overall Dimensions of QW Non-clogging Movable Submersible Sewage Pump Series

序号 No.	型号 Type	排出口径 Outlet diameter (mm)	流量 Flow (m ³ /h)	扬程 Head (m)	转速 Speed (r/min)	功率 Power (kW)	效率 Eff. (%)	A	B	C	D	H
46	200QW300-25-37	200	300	25	1450	37	73	325	1080	680	520	1370
47	200QW250-35-45	200	250	35	1450	45	69	330	1250	780	520	1370
48	200QW400-30-55	200	400	30	1450	55	72	330	1160	730	520	1450
49	200QW400-60-75	200	200	60	1450	75	52	330	1160	730	520	2100
50	250QW600-9-30	250	600	9	980	30	78	440	1100	700	520	1660
51	250QW600-12-37	250	600	12	1450	37	76	440	1100	700	520	1660
52	250QW600-15-45	250	600	15	1450	45	73	440	1100	700	520	1660
53	250QW600-20-55	250	600	20	1450	55	73	440	1100	700	520	1700
54	250QW600-25-75	250	600	25	1450	75	71	440	1100	700	520	1750
55	300QW800-12-45	300	800	12	980	45	74	470	1305	850	650	1845
56	300QW480-15-45	300	480	15	1450	45	66	470	1305	850	650	1845
57	300QW400-20-45	300	400	20	1450	45	64	470	1305	850	650	1845
58	300QW600-20-55	300	600	20	1450	55	73	470	1305	850	650	2060
59	300QW800-20-75	300	800	20	1450	75	75	470	1305	850	650	2120
60	300QW950-20-90	300	950	20	1450	90	76	470	1305	850	650	2120
61	300QW950-24-110	300	950	24	1450	110	76	500	1350	875	650	2220
62	350QW1100-10-55	350	1100	10	980	55	85	530	1363	1110	700	2150
63	350QW1180-13-75	350	1180	13	980	75	84	542	1533	1280	700	2150
64	350QW1200-15-90	350	1200	15	980	90	84	630	1533	1280	700	2190
65	350QW1130-18-90	350	1130	18	980	90	83	650	1533	1280	700	2190
66	350QW1250-20-110	350	1250	20	740	110	83	700	1586	1333	700	2240
67	350QW1500-20-132	350	1500	20	740	132	82	700	1616	1363	700	2480
68	350QW1500-26-160	350	1500	26	740	160	83	700	1666	1413	700	2590
69	400QW1800-10-75	400	1800	10	740	75	85	600	1650	1365	780	2000
70	400QW1690-12-90	400	1690	12	980	90	85	600	1650	1365	780	2000
71	400QW2000-13.5-110	400	2000	13.5	980	110	85	600	1650	1365	780	2280
72	400QW1700-22-160	400	1700	22	740	160	84	630	1670	1380	780	2600
73	400QW2000-18-160	400	2000	18	980	160	85	630	1670	1380	780	2600
74	400QW1950-23-185	400	1950	23	980	185	85	650	1700	1410	780	2780
75	400QW1980-26-220	400	1980	26	980	220	83	650	1700	1410	780	2850
76	400QW1800-32-250	400	1800	32	740	250	82	670	1730	1440	780	2850
77	450QW2300-10-90	450	2300	10	740	90	85	983	1915	1600	850	2250
78	450QW2250-11-110	450	2250	11	740	110	85	983	1965	1700	850	2250
79	450QW2260-14-132	450	2260	14	740	132	85	1000	2015	1800	850	2350
80	450QW2280-20-185	450	2280	20	740	185	83	1000	2065	1900	850	2420
81	450QW2300-25-250	450	2300	25	740	250	83	1050	2095	1930	850	2870
82	450QW2300-29-280	450	2300	29	740	280	83	1050	2165	2050	850	2950
83	450QW2100-36-315	450	2100	36	740	315	83	1200	2265	2200	850	3100
84	500QW2490-10-110	500	2500	10	740	110	85	900	2218	1875	900	2250
85	500QW2500-16-160	500	2500	16	740	160	85	955	1968	1625	900	2450
86	500QW2490-18-185	500	2500	18	740	185	85	1000	1968	1645	900	2450
87	500QW2500-12-132	500	2500	12	740	132	85	1030	2038	1695	900	2250
88	500QW2400-22-220	500	2500	22	740	220	85	900	2218	1875	900	2520
89	500QW2650-24-250	500	2650	24	740	250	85	1070	2198	1855	900	2890
90	500QW2400-28-280	500	2400	28	740	280	85	1150	2738	2395	900	3000



使用安全

1. 若发现试运转时，有不转、保护装置跳闸、保险丝烧断等不正常现象，应立即切断电源，检查电源、保护装置、接线等是否有问题，当这些外部装置均属正确，即可能是电泵存在问题，此时不应继续使用，以免发生故障！
2. 搬运和安装电泵时切勿拉扯或损伤电缆以免电缆破裂后漏水造成事故！还应注意不得将电缆端部放于水中。
3. 必须使用保护装置启动和停止电泵运行，切勿直接挂电网或使用闸刀开关来接通电源。
4. 电泵的机壳地线必须严格按有关规程接妥，为了保证使用时人身安全，在电泵运行时，严禁在附近安排人下水做事或移动，接触电泵以防万一漏电而发生安全事故。
5. 严禁电泵整体露出水面长期运行，电泵“开”，“停”不宜频繁（一般每分钟不超过五次，以防电泵过热损坏）。
6. 电泵所接的电力变压器容量及电缆截面积应保证电泵运行时端电压在360-400V之间
7. 不得将电泵长期处于低扬程状态下运行（一般使用扬程不得低于额定扬程的70%），以防电泵因超载而损坏！

订货须知

1. 在合同中应注明准确的产品型号、性能参数（流量、扬程、电机功率、叶片安装角度）和使用电压。
2. 控制柜应注明启动方式（直接启动、自耦降压启动、软启动、变频启动等）。液位控制方式（浮球液位、压力变压器数显液位），安装形式（户内型，户外型）。
3. 如果需配端子箱应注明是控制型还是接线型。
4. 在“供货范围”中需由用户确定的尺寸应及明提供。
5. 本公司潜水泵电缆正常供货长度为8米，导轨为3米，若有特殊需求，请予注明。
6. 如有其它特殊要求，签订合同前请与本公司技术部门联系。

Use safety

1. In case of abnormal phenomena such as non rotation, tripping of protective device and fuse burning during test run, power supply shall be cut off immediately to check whether there are problems with power supply, protective device and wiring. When these external devices are correct, it may be that there is a problem with the electric pump. At this time, it should not continue to use to avoid failure!
2. When handling and installing the electric pump, do not pull or damage the cable to avoid accidents caused by water leakage after cable breakage! Care should also be taken not to put the cable ends in water.
3. The protection device must be used to start and stop the operation of the electric pump. Do not directly connect to the power grid or use the knife switch to connect the power.
4. The casing ground wire of the electric pump must be connected in strict accordance with relevant regulations. In order to ensure personal safety during use, when the electric pump is running, it is strictly prohibited to arrange people to work or move in the water nearby to contact the electric pump in case of accidents caused by electric leakage.
5. It is forbidden to operate the electric pump out of the water for a long time. The electric pump should not be "started" and "stopped" frequently (generally no more than five times per minute to prevent the electric pump from overheating and damage).
6. The capacity of the power transformer connected to the electric pump and the cross-sectional area of the cable shall ensure that the terminal voltage is between 360-400V when the electric pump is running
7. The electric pump shall not be operated under the low lift condition for a long time (generally, the lift shall not be less than 70% of the rated lift), to prevent the electric pump from being damaged due to overload!

Ordering Instructions

1. The accurate product model, performance parameters (flow, lift, motor power, blade installation angle) and applied voltage shall be indicated in the contract.
2. The control cabinet shall indicate the starting mode (direct starting, auto coupling step-down starting, soft starting, variable frequency starting, etc.). Liquid level control mode (floating ball liquid level, pressure transformer digital display liquid level), installation mode (indoor type, outdoor type).
3. If the terminal box is required, it shall be indicated whether it is control type or wiring type.
4. The dimensions to be determined by the user in the "scope of supply" shall be clearly provided.
5. The normal supply length of submersible pump cable of our company is 8 meters, and the guide rail is 3 meters. If there are special requirements, please indicate.
6. If there are other special requirements, please contact the technical department of the company before signing the contract.



故障分析及排除方法

Troubleshooting and Remedy

故障现象 Symptom	原因分析 Cause	排除方法 Remedy
泵不出水 No water out	<ol style="list-style-type: none"> 1. 电机反转 1. Rotation direction reversed 2. 阀门是否打开和完好 2. Valve not opened or damaged 3. 管道叶轮被堵塞 3. Pipe or impeller jammed 	<ol style="list-style-type: none"> 1. 改变电机转向 1. Chang the direction rotating 2. 检查、维修、排除 2. Check and repair 3. 清理杂物 3. Clean pipe and impeller
流量不足 Low flow	<ol style="list-style-type: none"> 1. 转速过低 1. Low speed 2. 扬程过高 2. Too high head 3. 抽送介质密度较大 3. Over density of pumped medium 4. 介质粘质密度大 4. Over viscosity of pumped medium 5. 密封圈损坏(口环处) 5. Sealing ring damaged 6. 管路阻力过大 6. Much pipe lose 	<ol style="list-style-type: none"> 1. 检查电器设备及电路 1. Check power equipment and circuit 2. 降低扬程或改泵 2. Lower head or replace pump 3. 用水冲稀降低浓度 3. Dilute the density 4. 降低粘度 4. Reduce visosity 5. 更换 5. Replace 6. 减少管路弯道 6. Reduce number of elbows
运行不稳定 Unstable operation	<ol style="list-style-type: none"> 1. 叶轮不平衡 1. Unbalanced impeller 2. 轴承损坏 2. Bearing damaged 	<ol style="list-style-type: none"> 1. 送制造厂调换或校正 1. Replace or adjust 2. 更换 2. Replace
扬程不够 Low head	<ol style="list-style-type: none"> 1. 液体中混有气体 1. The liquid is mixed with gas 2. 叶轮严重磨损 2. The impeller is severely worn 3. 转速不够 3. Insufficient speed 	<ol style="list-style-type: none"> 1. 降温或加压 1. Cool down or pressurize 2. 更换 2. Replace 3. 增加转速 3. Increase the speed
电流过大 Over current	<ol style="list-style-type: none"> 1. 工作电压低 1. Low working voltage 2. 管道、叶轮被堵 2. The pipe and impeller are blocked 3. 介质密度和粘度过高 3. Medium density and viscosity are too high 4. 流量过大 4. Excessive flow 5. 产生机械摩擦 5. Mechanical friction 	<ol style="list-style-type: none"> 1. 调速工作电压 1. Speed regulation working voltage 2. 清理管道、叶轮内堵物 2. Clean the blockage inside the pipe and impeller 3. 改变密度和粘度 3. Change density and viscosity 4. 减少流量、提高扬程 4. Reduce flow and improve lift 5. 进行维修调节 5. Carry out maintenance and adjustment
泵不能启动 Fail to start	<ol style="list-style-type: none"> 1. 缺相 1. Phase loss 2. 叶轮卡住 2. Impeller is stuck 3. 绕组接头或电缆断路 3. Open circuit of winding connector or cable 4. 定子绕组烧坏 4. The stator winding is burnt out 5. 电器控制发生故障 5. Electrical control failure 	<ol style="list-style-type: none"> 1. 检查线路进行修复 1. Check the circuit for repair 2. 排除杂物 2. Remove sundries 3. 用欧姆表检查修复 3. Check and repair with ohmmeter 4. 修理、更换绕组 4. Repair and replace winding 5. 修理或调换 5. Repair or replace